

## 2-WIRE LOOP POWERED, TRUE RMS

### FEATURES

- Provides a fully-isolated 4-20mA output proportional to the measured voltage even in non-sinusoidal waveforms.
- Slim profile allows maximum use of control enclosure space.
- Recessed terminals provide increased safety.
- UL94V-0 polyamide DIN-mount case style.

### APPLICATIONS

- True RMS transducer for accurately sensing voltage in single- and 3-phase installations.
- Ideal for non-sinusoidal applications, such as VFDs and SCR-controlled loads.
- Designed for industrial environments.

**5 YEAR WARRANTY**



Transducer output is derived from the RMS value of the input.

DIN-rail lengths available: Consult Factory

## MODEL SELECTION

INPUT AC VOLTAGE	STANDARD OUTPUTS MODEL MVTR-
	4-20mA <sub>d</sub> c
0-150	150E2
0-300	300E2
*0-600	*600E2

\*Note: 600Vac models supplied with potential transformer (PT)

## SPECIFICATIONS

### INPUT

Voltage ..... See Table  
 Frequency Range ..... Standard ..... 50-400Hz  
 Burden ..... 150Vac models ..... 1.0VA  
 ..... 300Vac, 600Vac models ..... 2.0VA  
 Voltage Overload ..... F.S. Rating

### OUTPUT

Scaling ..... 0-F.S. Input = 4-20mA<sub>d</sub>c Output  
 Response (to 90%) ... 150 & 300V models ..... 200ms  
 ..... 600V models ..... 500ms  
 Loading ..... (@ 24Vdc Instr. Pwr.) ..... 0-500Ω  
 Setpoint Adjustment ..... ±5%, minimum

### DIELECTRIC TEST

Input/Output ..... 2200Vac

### INSTRUMENT POWER

Loop-Powered ..... Nominal ..... 24Vdc  
 Range ..... 15-35Vdc

### ACCURACY (Includes effects of linearity and setpoint)

60Hz ..... 10-100% F.S. ..... ±0.25% F.S.  
 all others ..... ±1.0% F.S.  
 Output Ripple ..... <1.0% pk-pk

### TEMPERATURE

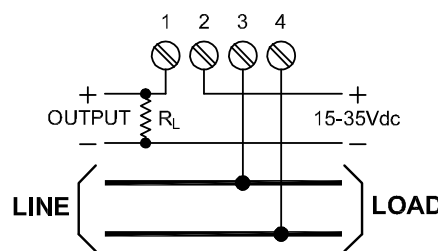
Operating Range ..... -20°C to 60°C  
 Effect ..... ±1.0% F.S.

### PHYSICAL

Termination Wire Size ..... 22 to 12AWG  
 Net Weight ..... 150Vac, 300Vac models ..... 0.25 lb  
 ..... 600Vac models with PT ..... 0.90 lb  
 Unit can be mounted on ..... RAIL EN50035 (DIN 1), or  
 ..... RAIL EN50022 (DIN 3)

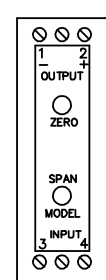
## CONNECTIONS & DIMENSIONS

### 150 & 300Vac MODELS ONLY

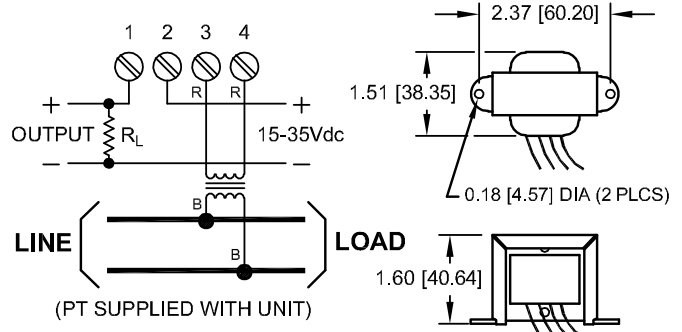


PTs: CONNECT AS SHOWN IN 600V DIAGRAM.

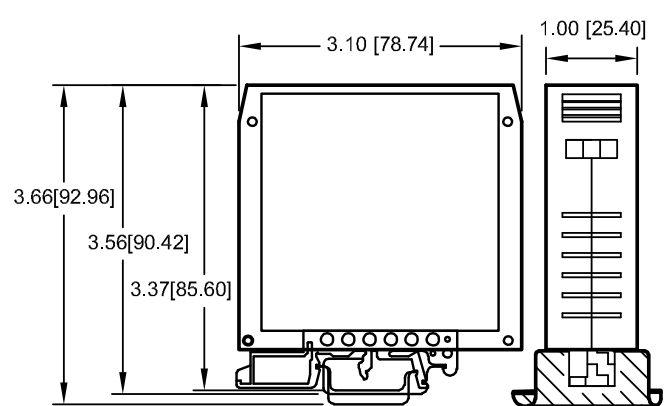
### ALL MODELS



### 600Vac MODELS ONLY



### ALL MODELS



ALL DIMENSIONS IN INCHES [MM].  
 TOLERANCE: ±0.03 [0.76] INCHES.

Dwg# 0902-00863-B Rev C